



TOOLS NEEDED

1. Phillips screwdriver #2 (both long and short)
2. Power drill
3. Drill bits: 1/8", 1/4", 3/8"
4. Center punch
5. 1/2" Open end wrench
6. Ratchet with 1/2" socket
7. Small round file
8. Marker pen

PLEASE READ INSTRUCTIONS COMPLETELY BEFORE INSTALLATION. IF YOU DO NOT CLEARLY UNDERSTAND ANY PART OF INSTALLATION INSTRUCTIONS, DO NOT ATTEMPT TO INSTALL YOURSELF. HAVE A QUALIFIED PROFESSIONAL PERFORM INSTALLATION.

RBP ASSUMES NO LIABILITY FOR ANY DAMAGE CAUSED BY IMPROPER USE AND/OR INSTALLATION OF ITS PRODUCTS.

WARNING

1. Do not install this product on your vehicle if the vehicle's body metal is rusted or otherwise damaged.
2. Before drilling any holes, be sure the area is clear of any obstacles such as fuel lines, brake lines, wire harnesses, A/C lines, etc.
3. Be careful not to damage the painted body area.
4. Do not modify step or installation hardware. Use step only on vehicles listed on application chart. Install aluminum steps following these instructions only.
5. Use steps to enter and exit vehicle only.

BEFORE INSTALLATION: CHECK YOUR VEHICLE'S BODY METAL (ROCKER PANEL) UNDERNEATH TO DETERMINE TO WHICH GROUP YOUR VEHICLE'S BODY BELONGS. REFER TO THE APPLICATION CHART ON THE FOLLOWING PAGE. FOLLOW THE INSTRUCTIONS FOR YOUR VEHICLE ONLY.

MOUNTING HARDWARE LIST



(4) 5/16" x 1-1/8" Bolt



(2) 5/16" x 2" Bolt



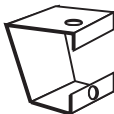
(4) 5/16" x 18 Nut



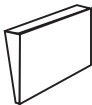
(8) 5/16" Washer



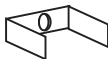
(4) Sheet metal screw



(2) "C" Shaped bracket



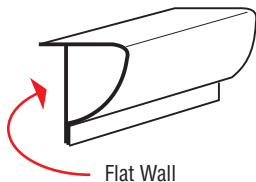
(2) Plastic wedge spacer



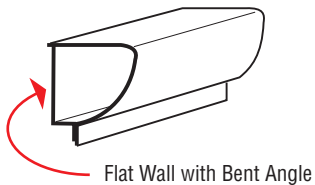
(2) "U" Shaped spacer

VEHICLE BODY STYLE GROUP DIAGRAM

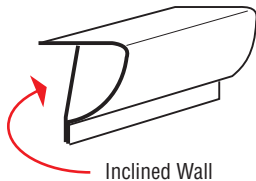
GROUP A



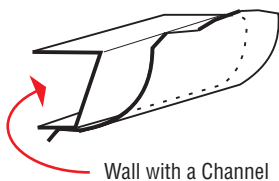
GROUP B



GROUP C



GROUP D



INSTRUCTIONS FOR GROUP A, B, C

1. Find a proper position to mount the step. Hint: For correct placement, the center of the step should be in line with the front edge of the seat's frame, also the step's mounting legs should be able to lay flat against the vehicle's rocker panel.
2. With the step in place, mark a vertical line along the center of the step onto the pinch weld flange of the rocker panel.
Note: Some truck models may need this flange to be bent into a vertical position (see detail on Fig. A inserted diagram). Measure 4 1/16" out on each side of the marked line and mark these points on the pinch weld flange. The Dimension between the two outside lines should be 8 1/8".
3. Drill a 3/8" hole on these points. Before drilling make sure you center the 3/8" drill bit on the flange, use a center punch and 1/8" drill bit to drill a pilot hole for best results.

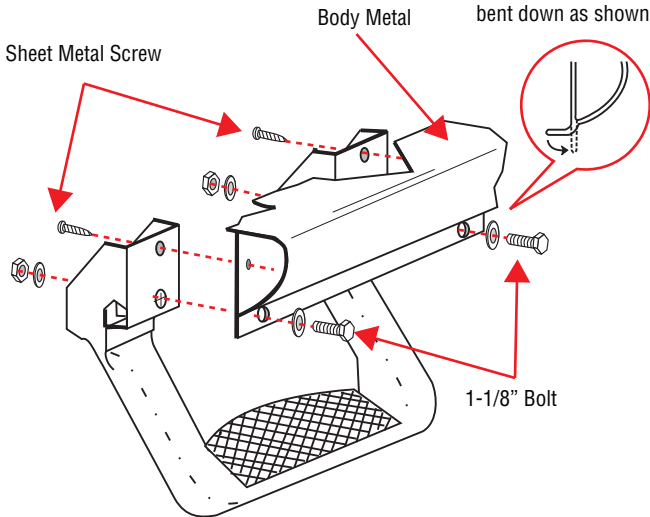
IMPORTANT: MAKE SURE THE AREA WHERE YOU WILL BE DRILLING IS FREE AND CLEAR OF ALL OBSTRUCTIONS.

INSTRUCTIONS FOR GROUP A, B, C

4. Place the step onto its mounting position, push the step up as far as it will go so the bottom of the mounting plate is even with the bottom of the pinch weld. Make sure the step is level and mark a point to each of the step's two legs through the 3/8" holes just drilled.
5. Remove the step and use a 3/8" drill bit to drill a hole on marked points on the step.
6. FOR GROUP A: (See Fig. A)
 - a. Place the step onto the vehicle, using 5/16" x 1 1/8" bolts, nuts and washers, assemble the step to the body and hand tighten for now (see Fig A.).
 - b. Using the 1/8" drill bit, drill a hole through the body metal using the top 1/4" hole on the step as a guide. Install and tighten 1" sheet metal screws in the upper hole. Now tighten all the previously installed bolts to complete the installation.

FIGURE A

Some models may need flange to be bent down as shown

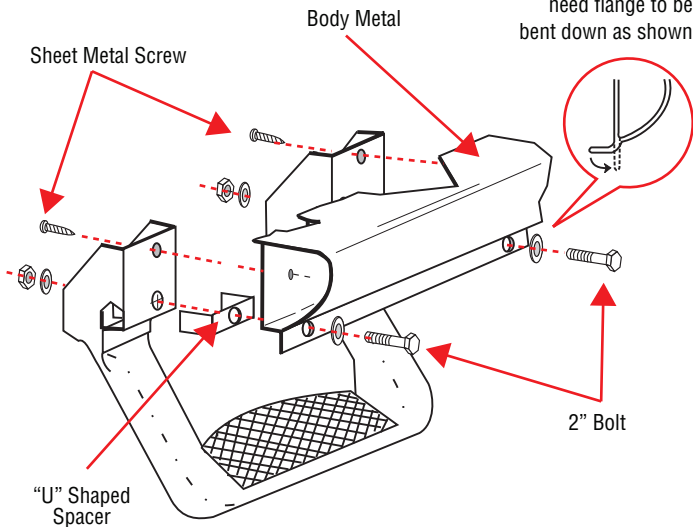


INSTRUCTIONS FOR GROUP A, B, C

7. FOR GROUP B: (See Fig. B)
 - a. Place the step onto the vehicle, using the 5/16" x 2" bolts, nuts and washers, assemble the "U" shaped spacers and step as shown in (Fig B.) through the hole on the pinch weld flange. Hand tighten for now.
 - b. Using the 1/8" drill bit, drill a hole through the body metal using the top 1/4" hole on the step as a guide. Install and tighten 1" sheet metal screws in the upper hole. Now tighten all the previously installed bolts to complete the installation.

FIGURE B

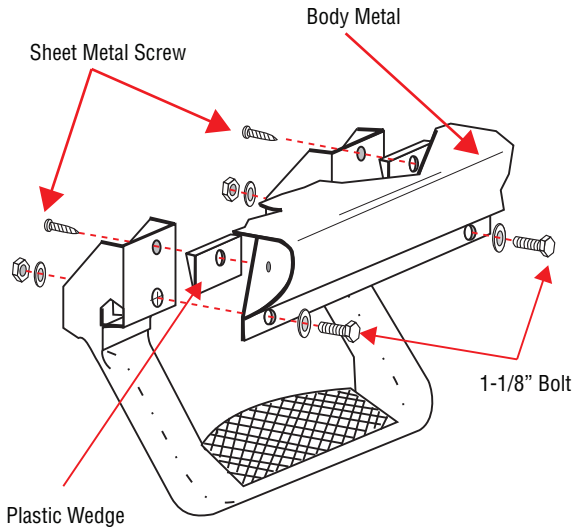
Some models may need flange to be bent down as shown



INSTRUCTIONS FOR GROUP A, B, C

8. FOR GROUP C: (See Fig. C)
 - a. Place the step onto the vehicle, using the 5/16" x 1 1/8" bolts, nuts and washers, assemble the step to the body and leave hand loose for now. Place the two plastic wedges between the upper portion of the step and body metal (see Fig. C).
 - b. Move the wedges up and down until the step is level, using the 1/4" hole on the step, mark the location onto the wedges while holding the step in place. Remove the wedges, drill a 1/4" hole out the marked points.
 - c. Place the wedges back into place, drill a 1/8" hole through the step and the wedge to the body metal, use the 1" sheet metal screws to tighten the step, the wedge and body metal together. Now tighten all the previously installed bolts to complete the installation.

FIGURE C



INSTRUCTIONS FOR GROUP D

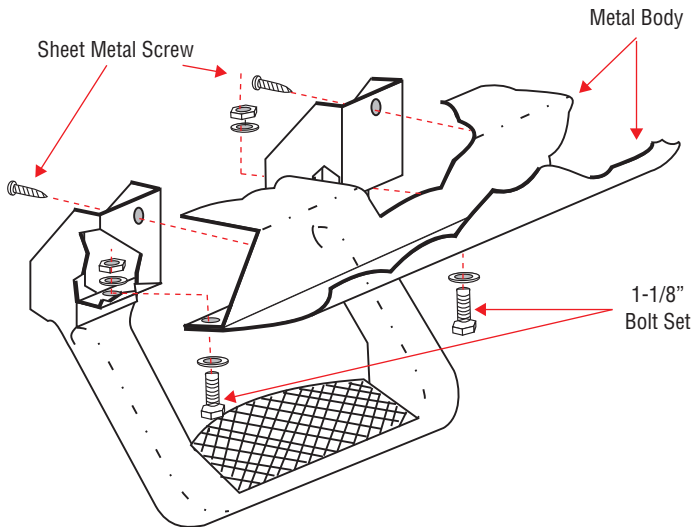
1. Find a proper position to mount the step. Hint: For correct placement, the center of the step should be in line with the front edge of the seat's frame, also the step's mounting legs should be able to lay flat against the vehicle's rocker panel.
2. With the step in place, mark a vertical line along the center of the step onto the pinch weld flange of the rocker panel. Measure $4 \frac{1}{16}$ " out on each side of the marked line and mark these points on the pinch weld flange. The dimension between the two outside lines should be $8 \frac{1}{8}$ ".
3. Drill a $\frac{3}{8}$ " hole on these points. Before drilling make sure you center the $\frac{3}{8}$ " drill bit on the flange, use a center punch and $\frac{1}{8}$ " drill bit to drill a pilot hole for best results.

IMPORTANT: MAKE SURE THE AREA WHERE YOU WILL BE DRILLING IS FREE AND CLEAR OF ALL OBSTRUCTIONS.

INSTRUCTIONS FOR GROUP D

4. Place the step onto its mounting position, align the mounting holes of the step with the holes ($3/8$ ") that were just drilled on the flange. Using the $5/16$ " x $1/8$ " bolts, nuts and washers, assemble the step to the body and hand tighten for now (see Fig. D). If the $1/8$ " bolts do not go in flush, you may need to use the small round file to file the opening.
5. Using the $1/8$ " drill bit, drill a hole through the body metal using the top $1/4$ " hole on the step as a guide. Install and tighten 1 " sheet metal screws in the upper hole. Now tighten all other previously installed bolts to complete the installation.

FIGURE D



INSTRUCTIONS FOR GROUP E

1. Review the diagrams of Group E on pages 19-23 (see E-2 & E-4) for proper application.
2. Find a proper position to mount the step. Hint: For correct placement, the center of the step should be in line with the front edge of the seat's frame, also the step's mounting legs should be able to lay flat against the vehicle's rocker panel. If the legs do not reach the rocker panel the supplied "C" bracket should be used to perform this procedure.
3. With the step in place, mark a vertical line along the center of the step onto the pinch weld flange of the rocker panel. Measure 4 1/16" out on each side of the marked line and mark these points on the pinch weld flange. The dimension between the two outside lines should be 8 1/8".

INSTRUCTIONS FOR GROUP E

4. Along the outside lines, measure 1/2" (measure 1/4" for Suburban) inward from the inside edge of the pinch weld and mark a point on each of the two lines. Then drill a 3/8" hole at these two points, use a center punch and 1/8" drill bit to drill a pilot hole for best results. Important: Make sure the area where you will be drilling is free and clear of all obstructions (i.e. air conditioning lines and wire harnesses) see Fig. E-3 & E-4 for review.
5. Place the "C" shaped bracket up inside the rocker panel (see Fig. E-1 & E-3), carefully maneuver the brackets into the required position. Mark a point onto the "C" bracket through the 3/8" hole just drilled on the pinch weld flange, remove the bracket and drill a 3/8" hole at the marked point.
6. Attach the "C" brackets to the step, tighten the 1" sheet metal screws through the top holes on the step and the small holes on the "C" brackets. Make sure that the brackets are lined up with the edges of the step. Note: If the bottom hole of the "C" bracket does not line up, just bend the bracket inward until the bottom hole is centered about 3/8" up onto the step.

INSTRUCTIONS FOR GROUP E

Mark a point onto the step through the lower hole on the brackets. Remove the brackets from the step, check the distance between two marked points on the step, the measurement should be 8 1/8".

7. Drill a 3/8" hole through the marked points on the step.
8. Maneuver the "C" brackets back into their mounting position. Attach the 5/16" bolt with washer through the 3/8" holes on the pinch weld (see #1 on Fig. E-2). Note: If the holes do not line up flush, file the holes so that the bolt can pass the body metal and the bracket freely. Do not tighten the bolts yet, hold the bracket firmly in place and mark a point on the vehicle's body metal through the top hole on the "C" bracket. Remove the "C" brackets from their mounting position.
9. Refer to Fig. E-5, remove the plastic door entry cover, move the wire harness out of the way for drilling.

INSTRUCTIONS FOR GROUP E

10. Drill a 1/8" hole through the marked points on the body metal that were just marked in step #8. Make sure all wires are out of the way.
11. Install the "C" brackets back to the mounting position. Apply sheet metal screws through the top holes and tighten, apply the 5/16" bolts, washers and nuts through the bottom holes to hold the brackets to the vehicle, do not tighten down yet. (see Fig. E-2, E-4).
12. Install the step to the brackets. Apply the sheet metal screws through the upper holes on the "C" brackets, apply 5/16" bolts, washers and nuts through the lower holes to secure the step to the brackets. Now tighten all the screws, bolts and nuts firmly (see Fig. E-2 & E-4).
13. Reinstall the plastic door entry cover, make sure the screws will not pierce any wires when putting back the harness.

FIGURE E-1

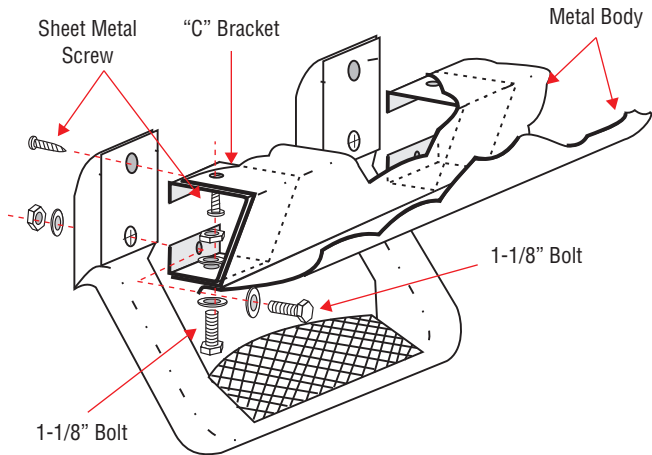


FIGURE E-2

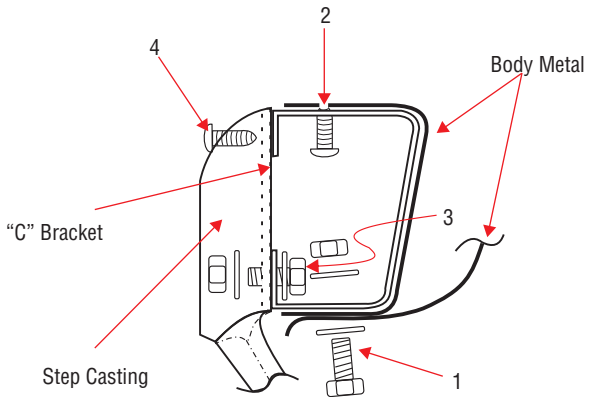


FIGURE E-3

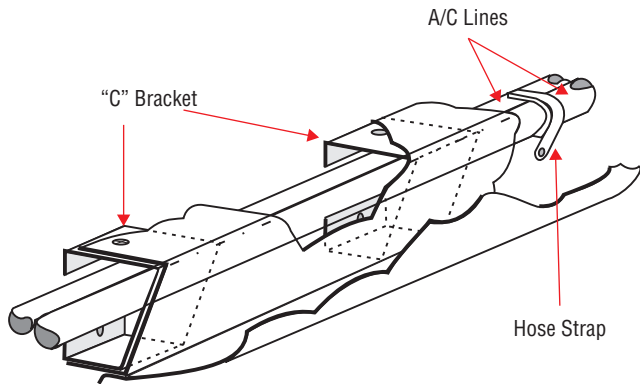


FIGURE E-4

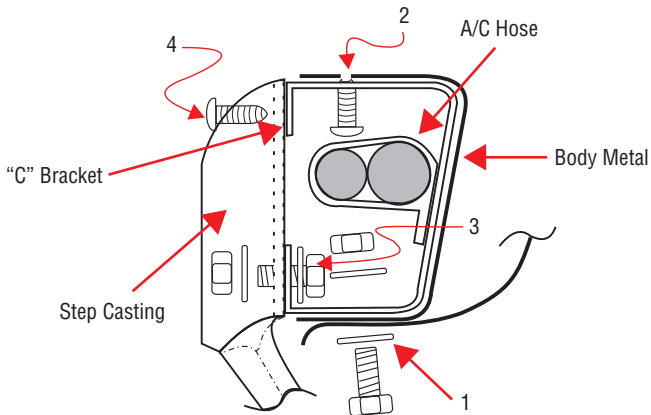


FIGURE E-5

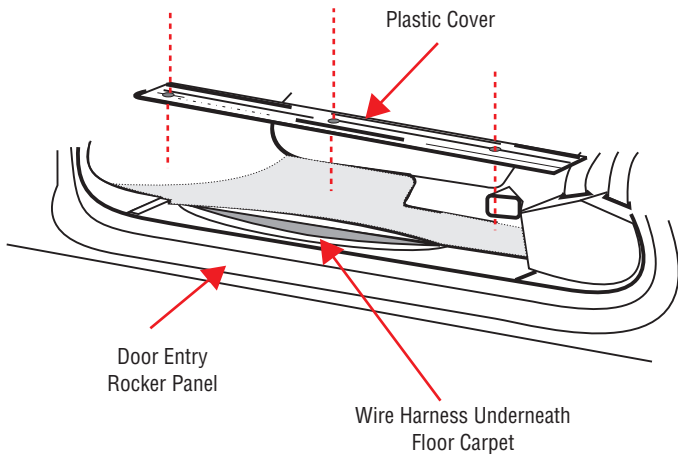
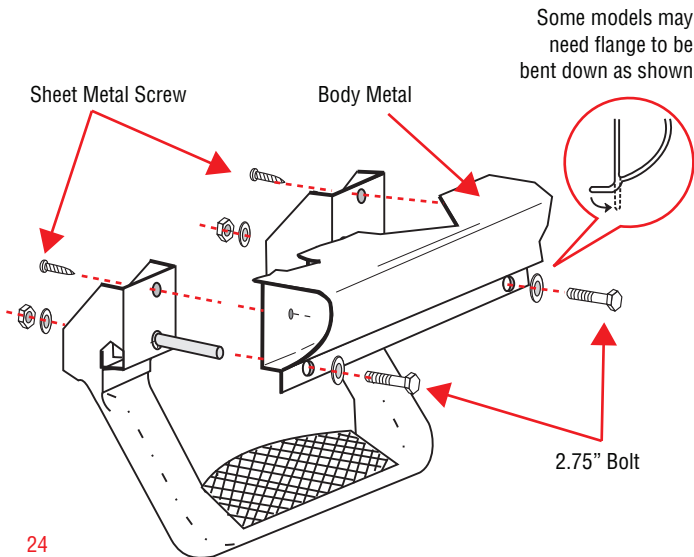


FIGURE F-SUPPLEMENT
FOR 09-17 DODGE RAM ONLY



WWW.ROLLINGBIGPOWER.COM

RBP-R1S1001R

RBP-R1S1002R