





TOOLS NEEDED

1. Phillips screwdriver
2. Power drill
3. 7/64" Drill bit
4. Zip ties

PLEASE READ INSTRUCTIONS COMPLETELY BEFORE INSTALLATION. IF YOU DO NOT CLEARLY UNDERSTAND ANY PART OF INSTALLATION INSTRUCTIONS, DO NOT ATTEMPT TO INSTALL YOURSELF. HAVE A QUALIFIED PROFESSIONAL PERFORM INSTALLATION.

RBP ASSUMES NO LIABILITY FOR ANY DAMAGE CAUSED BY IMPROPER USE AND/OR INSTALLATION OF ITS PRODUCTS.

IMPORTANT

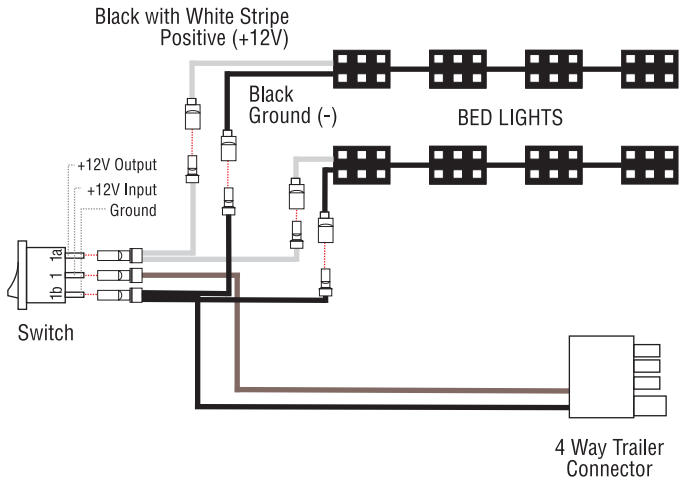
MAKE SURE TO MOUNT ON AREA FREE OF ELECTRICAL WIRING, HOSES AND/OR ANY OTHER SENSITIVE AREAS.

1. Cut wires from the battery and try me switch.
2. Determine desired mounting position for lights. Clean the mounting area surface thoroughly. Stick using double sided tape. Press firmly.
3. Place switch mount in desired location and mark spots where holes are to be drilled. Use small drill bit and drill out marked holes. Use Phillips screwdriver and tighten screws. Do not over tighten screws.

WIRING INSTRUCTIONS

1. Make sure your vehicle's lights are off.
2. Locate your vehicle's 4 trailer connector and plug in 4 prong connector (on some vehicles an adapter may be needed).
3. Run cable from trailer connector to where switch will be mounted.
4. Run cables from bed lights to switch.
5. Secure loose cables using zip ties.
6. Follow wiring diagram.

WIRING



RBP-3002R