



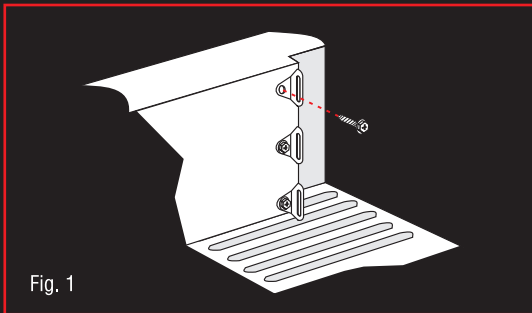


WARNING: THIS PRODUCT IS DESIGNED AND MANUFACTURED AS A PERFORMANCE ACCESSORY ONLY. IT SHOULD NEVER BE USED AS A TAILGATE REPLACEMENT TO RESTRAIN CARGO OR PASSENGERS.

RBP ASSUMES NO LIABILITY FOR ANY DAMAGE CAUSED BY IMPROPER USE AND/OR INSTALLATION OF ITS PRODUCTS.

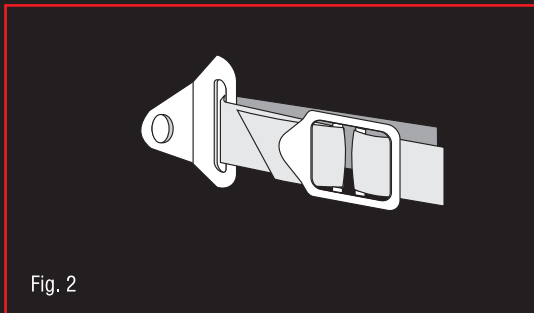
INSTALL THE BRACKETS

1. Find a flat surface on the side wall of the cargo bed (as close to the edge as possible), and mark the proper positions for the triangle brackets (mark your measurements from the three side straps on the particular tailgate net size that you have purchased). Use the supplied self-tapping screws to mount the brackets to the side wall (three in a vertical line). Repeat the same procedure on the other side. (See Fig. 1).



IMPORTANT

- Hook the three straps on the side end of the net to their corresponding brackets. Tighten the strap to the buckle. (See Fig. 2).



RBP-204G

RBP-203R